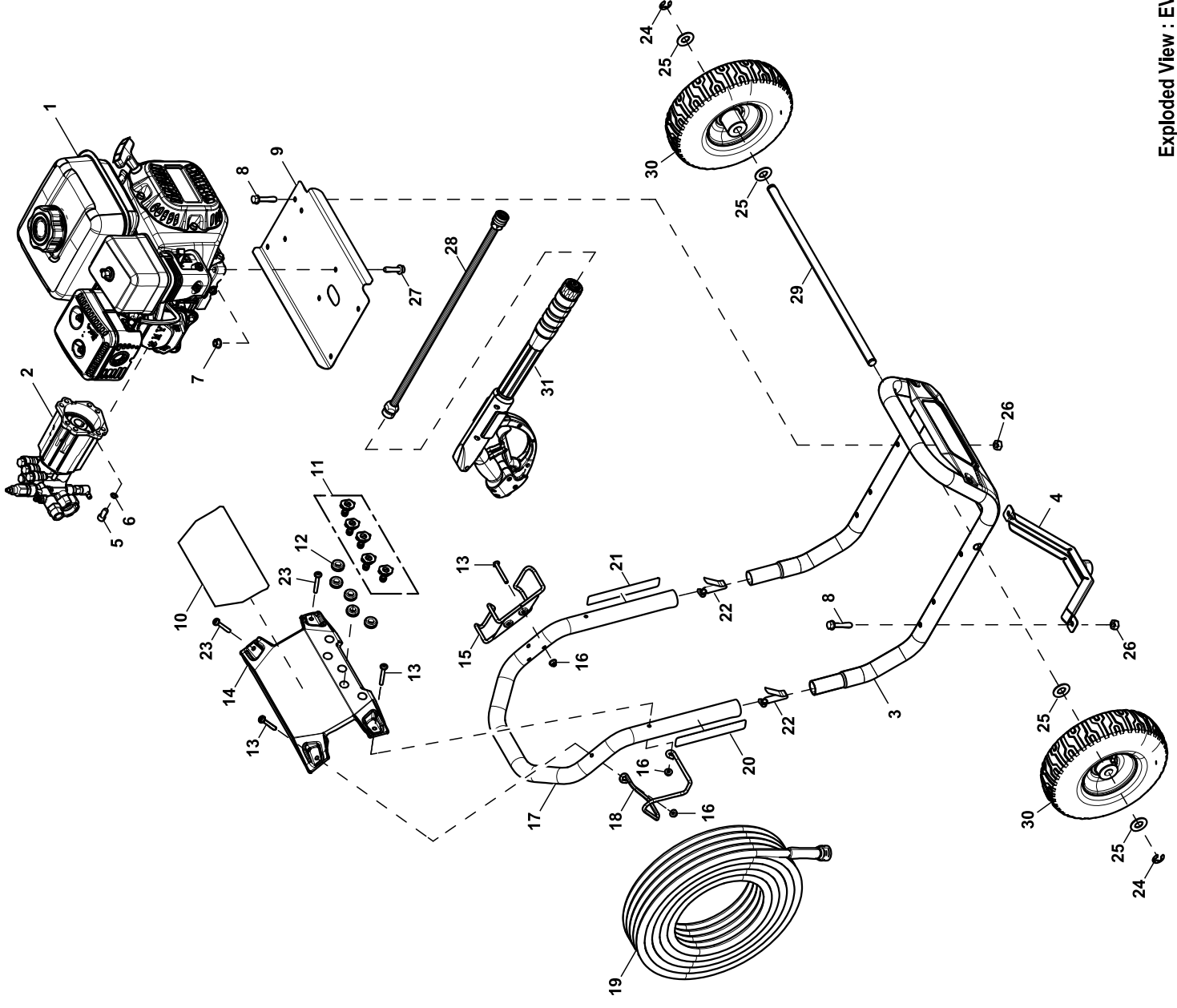


GROUP EV



EXPLODED VIEW: EV POWER WASHER SM PRO**DRAWING #:0L3879A****GROUP EV**

ITEM	PART#	QTY.	DESCRIPTION
1	0K8430	1	ENGINE
2	0J7764	1	PUMP AXIAL
3	10000000272	1	CRADLE SUB ASSY - SM PRO
4	10000000165	1	FOOT ASSY - SM PRO
5	0J3315	4	SCREW SHC M8-1.25
6	092479	4	WASHER LOCK M8 RIBBED
7	067989	4	NUT HEX FL WHIZ M8-1.25
8	0H1779	6	SCREW HHFC M8-1.25
9	0L3279	1	BASE PLATE
10	0L4508	1	DECAL UPPER BILLBOARD
11	0H9617N	1	KIT NOZZLE
12	0J3079	5	GROMMET-NOZZLE
13	0K6325	4	SCREW BFHSC M6-1.0
14	0L3501	1	BILLBOARD - UPPER
15	0L4068	1	ASSY GUN HOOK
16	0D3700	6	NUT FLANGE M6-1.0 NYLOK
17	0L3201	1	TUBE HANDLE
18	0L3499	1	HOSE HOOK - WIREFORM
19	0K6144B	1	HOSE
20	0J3374	1	DECAL QUICK START
21	0K6007	1	DECAL QUICK START
22	0G5442	2	SNAP BUTTON
23	0J3331	2	SCREW BFHSC M6-1.0
24	0J2686	2	RING, SNAP
25	022247	4	WASHER FLAT
26	049820	6	NUT HEX LOCK M8-1.25 NY INS
27	089230	4	SCREW HHFC M8-1.25
28	0H9640A	1	LANCE ASSY
29	10000010946	1	AXLE
30	0L3973A	2	WHEEL PNEUM
31	0H9642A	1	GUN ASSEMBLY - GC